

Procure Direct INVO Lighting



Technical Specifications

Model	Voltage	Power	Power Factor	Lumen (±5%)	Beam angle	CCT	Lifespan	CRI	Emergency Sensor	Dimension
GL4F1L2008XA	AC240V	20W	≥0.9	1800	120°	5000K	40000hrs	≥80	YES	1278*90*85mm
GL5F1L2508XA	AC240V	24W	≥0.9	2250	120°	5000K	40000hrs	≥80	YES	1578*90*85mm
GL4F2L4008XA	AC240V	40W	≥0.9	3600	120°	5000K	40000hrs	≥80	YES	1278*120*85mm
GL5F2L5008XA	AC240V	48W	≥0.9	4500	120°	5000K	40000hrs	≥80	YES	1578*120*85mm

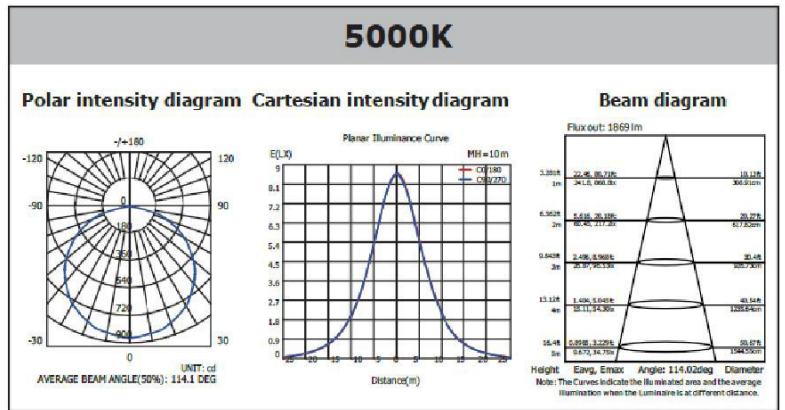
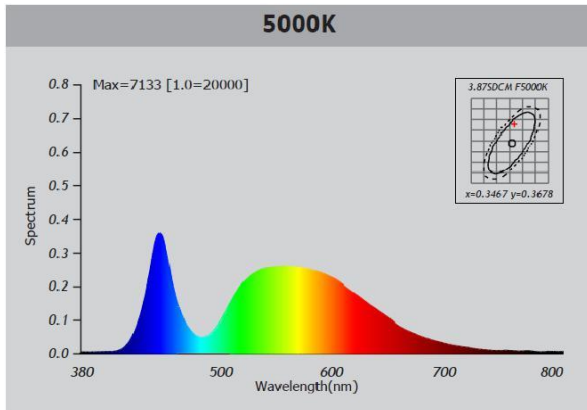
Driver data Sheet

Driver data	
Input rated Voltage	AC240V
Frequency	50Hz
Input Voltage	AC100-240V
Efficiency	≥83%
Total load Wattage	20/36/50W±5%
Power Factor	≥0.9
Rated input current	20w≤0.1A; 24w≤0.15A; 40w≤0.18A; 48w≤0.2A
Full load output Voltage	DC35-40V
Rated output current	20w 450mA; 24w 600mA; 40w 1150mA; 48w 1550mA
Output current tolerance	±5%
Power tolerance	±5%
Current output tolerance	±5%
Microwave sensor dim	25%
Emergency lumens	15%
Short circuit protection	PASS
Over voltage protection	PASS
Over temperature protection	PASS
Withstand voltage	AC3750V

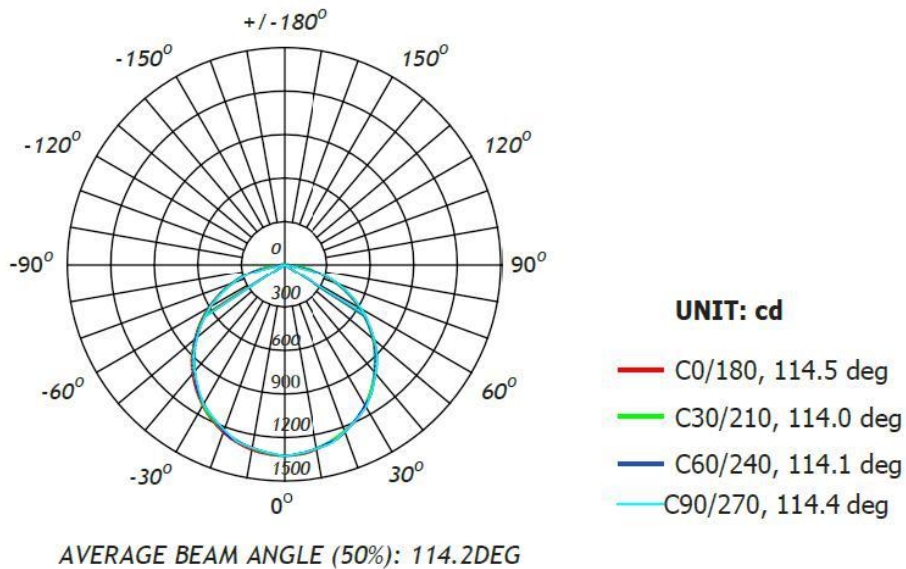
Fixture Compatibility

Rated Wattage	Electrical Classification	Ingress Protection (IP)	Operating Temp	Operating Humidity	Storage Temp
20/24/40/48	<i>II</i>	IP65	-10 ⁰ C~50 ⁰ C	0~90%	-20 ⁰ C~65 ⁰ C

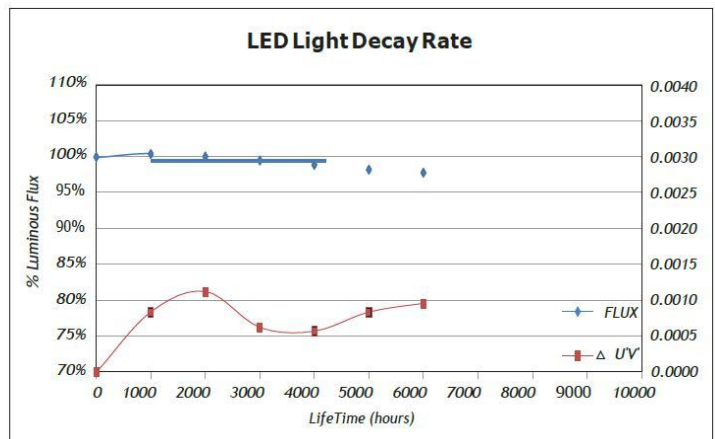
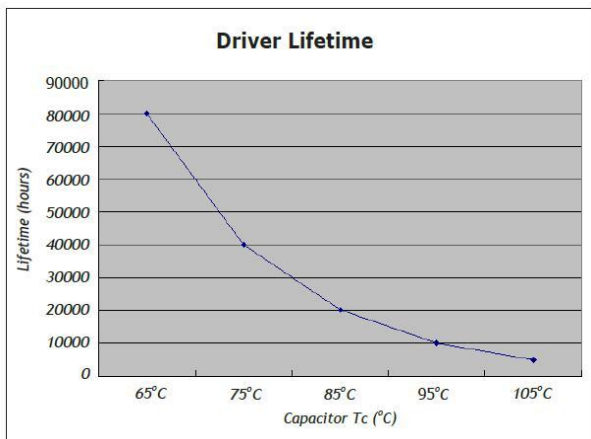
Spectral Distribution



Polar Diagram Comparison

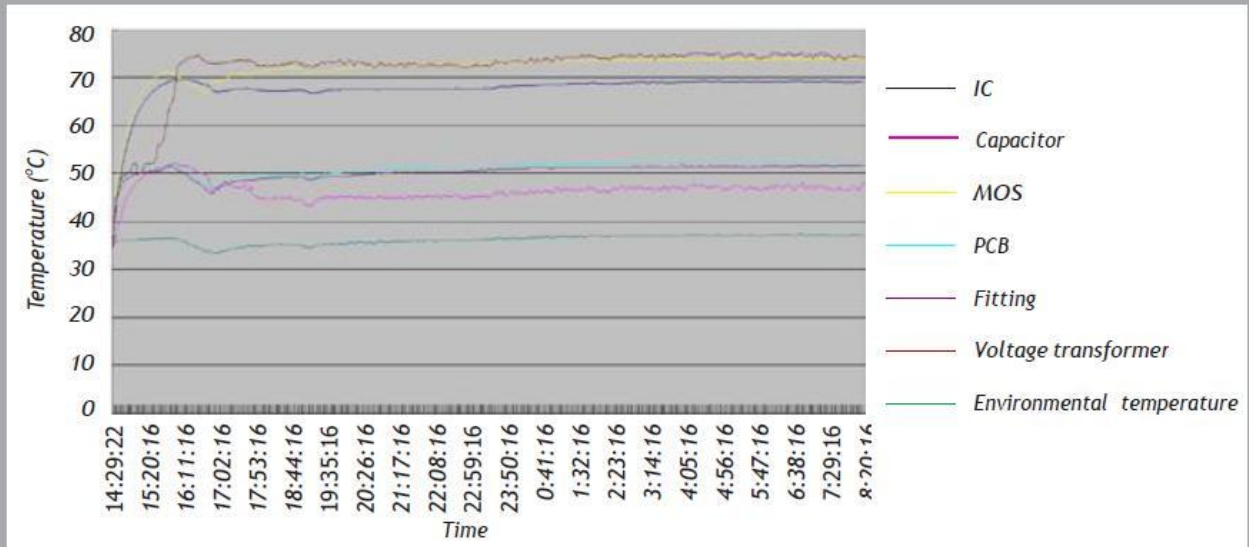


Driver lifetime & LED light decay rate



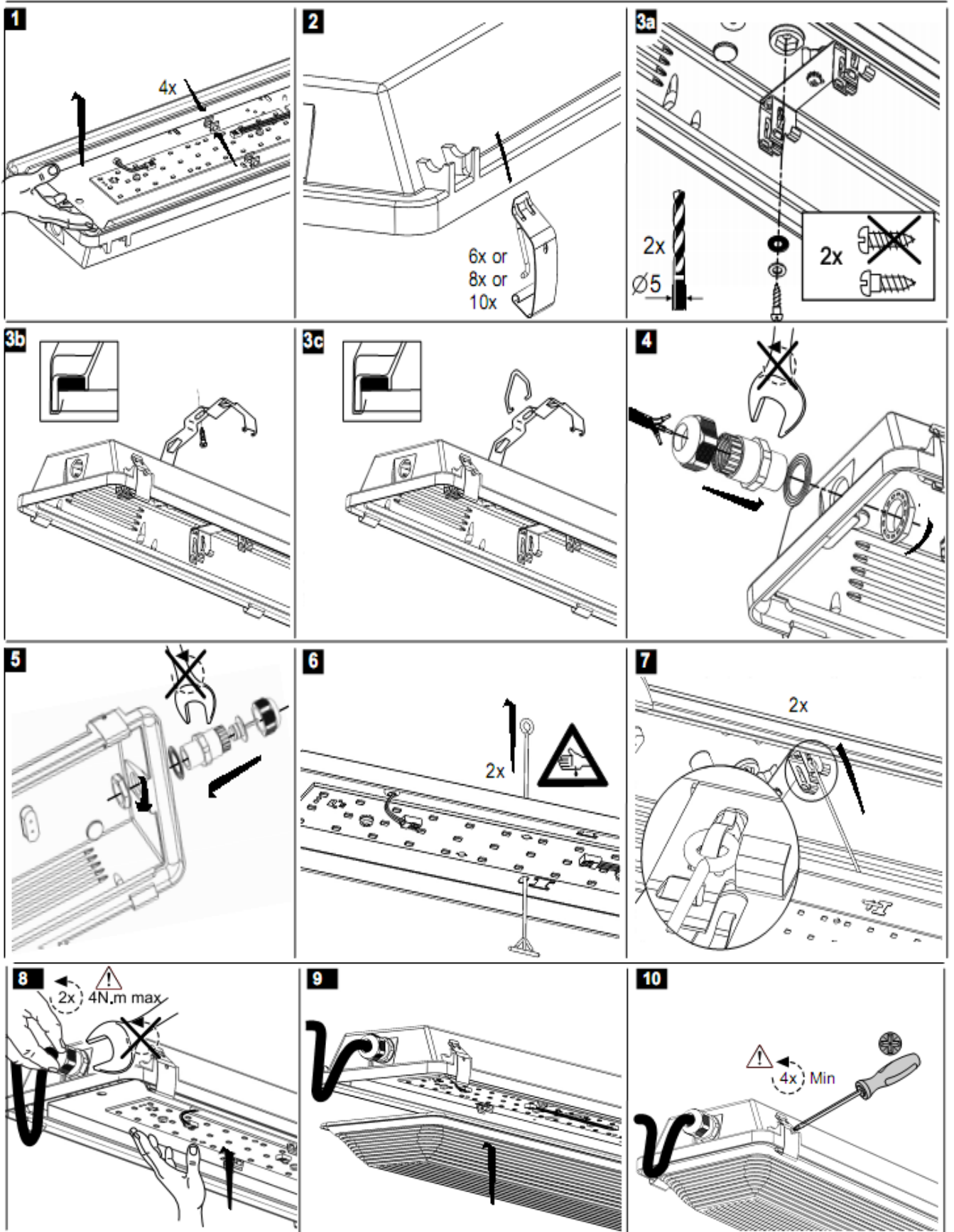
Temperature

- The testing is operated at 25°C
- The lifetime of capacitor, minimum of 5,000 hours if operated at 105°C, will be doubled whenever the temperature drops 10°C
- The highest withstand temperature of IC, MOS could be 120°C
- The highest withstand temperature of LED junction temperature is 150°C



The driver lifespan is based on capacitor working

Installation



Packaging Information

Lenth	SIZE(CM)	N.W (KGS)	G.W.(KGS)	Q'TY(PCS)
4ft Single	1300*260*280	1.8	12	6
4ft Twin	1300*260*280	2.4	15	6
5ft Single	1600*260*280	2.2	18.5	6
5ft Twin	1600*260*280	2.8	18.5	6

20ft container	CTNS	Q'TY(PCS)	CBM
4ft Single	280	1680	28
4ft Twin	280	1680	28
5ft Single	186	1116	28
5ft Twin	186	1116	28

